



QCF Clamp Chains **VaCFix**[®]

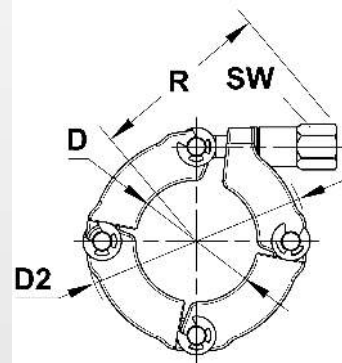
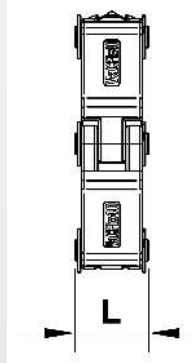
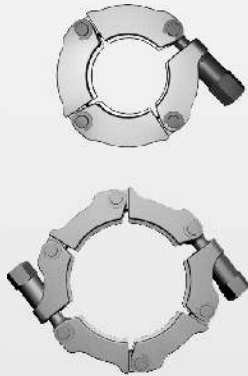
The New Quick Connection for HV und UHV

- Up to 90 % less assembly time
- Leak rate $< 1 \times 10^{-11}$ mbar l/s
- Stainless steel, bakeable up to 350 °C
- DN16 and DN40 ex stock
- Compatible with KF and conical ISO flanges
- Standard copper gaskets useable
- QCF flanges and components available from stock
- Adapters for all CF vacuum connections



Technical data

- Material stainless steel, non-magnetic
- Applicable flanges QCF flanges
KF flanges
conical ISO flanges
- Applicable sealings copper
FKM
- Assembly with torque key
- Accessories spare parts (eye screw nut)
heating sleeve on request



Order code	DN	mm				No. of links	SW	Weight g	Tightening torque (Nm)*	
		D	D2	R	L				recommended	maximal
XS16	16	21	53	47	24	3	13	220	2	3
XS40	40	46	82	67	24	4	15	430	9	12
XS63	63	73	121	89	28	5	19	980	32	36
XS100	100	117	176	117	41	6	24	2540	35	45

* For Cu gaskets, tightening torque for other sealing materials on request.
Further dimensions on request.

For clean room compatible packing please add "-CRP" to the order code.

QCF Flanges and Components

QCF Blank flange



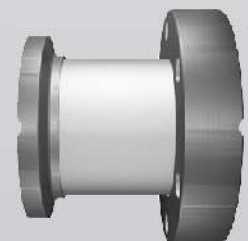
QCF Welding flange



QCF to CF
Adapter flange



QCF to CF
Tubulated adapter



VACOM

Vakuum Komponenten & Messtechnik GmbH

Gabelsbergerstraße 9 ■ 07749 Jena ■ Germany

Tel. +49(0)3641 4275-0 ■ Fax +49(0)3641 4275-82

info@vacom-vacuum.com ■ www.vacom-vacuum.com



10⁻ⁿ
mbar

VACOM